



HEATED 20" BIRD BATH

Item # 600

150 Watts, 120 Volts

PRECAUTIONS

- **Use with grounded outlets only.** Many older homes do not have properly grounded outdoor electrical outlets. Check with an electrician if you have any doubts concerning your electrical ground.
- **When using an extension cord,** only use one rated for "outdoor use". The cord must be rated as an "outdoor" cord by the manufacturer and must be rated to carry more than 150 watts of power.
- Do not let the connection lay in the snow or water.
- **Always be sure the bath is placed safely away from possible snow drifts.**
- **Do not place bath directly on the ground.**
- **Never place the bath where puddling or pooling of water is likely to occur.**
- **To clean the bath** scrub out the dish without immersing lower section in water. Never fully immerse bath in water.
- **Rate of evaporation:** this bath was designed to be attractive to the birds both in shape, slope, texture and depth. Due to these features the bath has a rather large surface area relative to the amount of water it holds. This is typical of a well designed, functional bird bath. During the dry winter months the above features, coupled with a 45 to 55 degree water temperature, will naturally accelerate evaporation. Therefore, do not be alarmed if you must add water on a daily basis.

GENERAL INFORMATION

The Heated Bird Bath does not heat the water all the time, as it contains an automatic thermostat that cycles the water temperature between 40° F and 50° F. This bird bath is designed to clamp to deck railings or pedestals or it may also be placed on any flat surface. Once the mount is in place, you can simply spin the bath on and off the mount for routine cleaning. You do not have to reapply the mount every time you wish to clean your bird bath.

After the winter season, you can remove your mount from your pedestal or deck railing and replace your Heated Bird Bath with your regular bird bath. By doing this, you will extend the life of your Heated Bird Bath.

If your pedestal has a protrusion or "nub" on top: The bird bath will not clamp to a pedestal which has a screw protruding from the top (unless the screw is removable). If your pedestal has some other protrusion on top, try connecting the bracket to the protrusion following the same directions as listed under the section titled *Bird Bath pedestal 7.25" or less* (follow the directions as if the protrusion is the diameter of your pedestal).

Mounting your Heated Bird Bath

First, decide on what surface you will be mounting the bath. **Second**, measure the width of the surface – if a deck rail, or measure the diameter – if the surface will be a pedestal or stand. **Third**, look under the appropriate heading in this manual and follow the directions.

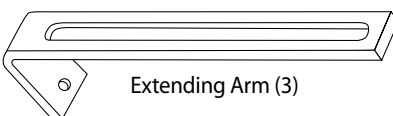

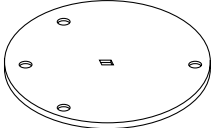
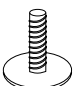

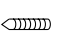

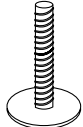
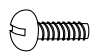
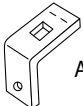


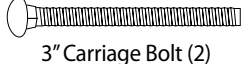
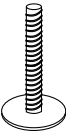
Your bracket is attached to the bottom of the bird bath. To remove, simply spin the bracket counterclockwise. Also contained is a bag of loose parts.

You will note the bracket, found under the bath, is preassembled to fit a pedestal 7.25" or less. However, if your pedestal falls within this range, you must still adjust the bracket to fit your particular pedestal diameter.

If you are planning to use a mount under one of the other headings, you will want to disassemble this mount and use the parts to construct your chosen mount.

The manual starts off with drawings of all the parts included with the bracket. For assembly you will need a small screwdriver and an adjustable wrench.

PARTS

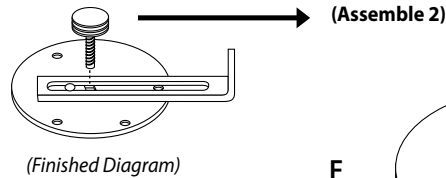
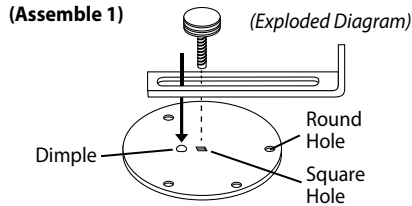
<p>A.  Extending Arm (3)</p> <p>B.  Shim (3)</p> <p>C.  Round Disc (1)</p> <p>D.  1" Elevator Bolt (1)</p>	<p>E.  Hex Nut 1cm (thin nut) (1)</p> <p>F.  3/8" (short) Set Screw (3)</p> <p>G.  1 1/2" (short) Set Screw (3)</p> <p>H.  1.5" Elevator Bolt (1)</p> <p>I.  5/8" Machine Screw (3)</p>	<p>J.  Angle Bracket (1)</p> <p>K.  Washer (5)</p> <p>L.  Hex Regular Nut (3)</p> <p>M.  3" Carriage Bolt (2)</p> <p>N.  2" Elevator Bolt (1)</p>
--	---	---



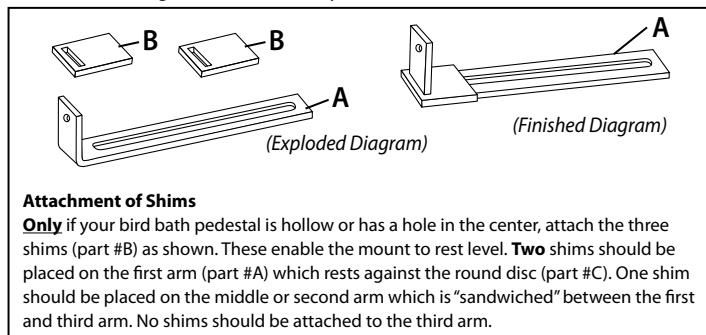
HEATED 20" BIRD BATH

IF MOUNTING TO A PLASTIC PEDESTAL OR IF THE DIAMETER OF YOUR BIRD BATH IS 7.25" OR LESS

The bracket has been preassembled in this position and is attached to the bottom of the bird bath. To remove, simply spin the bracket counterclockwise. You will still have to assemble the shims – if necessary (see diagram on shim attachment). Loosen the nut (part #E) to allow adjustment of the arms (part #A) to the diameter of your pedestal. Then follow directions #3 through #10 under "Mounting to your Pedestal".

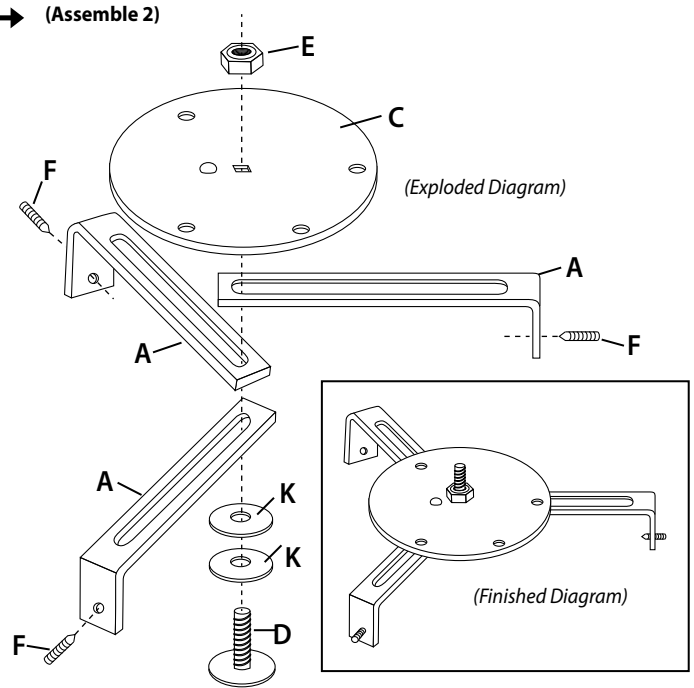


1. Place the first arm (part #A) so the dimple in the round disc (part #C) is inside the slot in the arm (part #A). 2. The slot in the arm (part #A) should be in a straight line with the dimple, the square hole and the round hole on the edge of the disc. 3. Make sure the dimple is at the **opposite end** from the right angle bend in the arm (part #A). 4. Proceed with placing the other two arms (part #A) in place followed by the washers (part #K) and elevator bolt (part #D) as shown in the diagram labeled Assembly #2.



Attachment of Shims

Only if your bird bath pedestal is hollow or has a hole in the center, attach the three shims (part #B) as shown. These enable the mount to rest level. **Two** shims should be placed on the first arm (part #A) which rests against the round disc (part #C). One shim should be placed on the middle or second arm which is "sandwiched" between the first and third arm. No shims should be attached to the third arm.



Mounting to your pedestal

- Assemble bracket following the exploded diagrams above.
- Back the three set screws (part #F) out as far as possible.
- Place the mount on the center of the pedestal and center the mount so the center bolt (part #D) is directly in the center of the pedestal.
- Loosen the center nut (Note: you do not have to take the mount off your pedestal to loosen or tighten this nut (part #E), located on top of the round disc, and open or close the arms so that the mount conforms to the sides of your pedestal.)
- Position the arms as tight as possible against the sides of your pedestal.
- Make sure the center bolt is still positioned in the center of your pedestal. (If the center bolt is misaligned with the center of your pedestal – reposition the mount and repeat step #4 again).
- Tighten the center nut. **You must use a wrench and fasten this nut as**

tight as possible. (Note: you do not have to remove the mount from your pedestal to loosen or tighten this nut).

- Check to be sure the mount is aligned straight. If the mount is slightly crooked, move the corresponding arm upward in order to compensate.
- Use a screwdriver to tighten the three set screws (part #F). Do not over tighten these screws because this will bend the arms of the mount. Just tighten each one enough to dig **slightly** into the surface (if your pedestal is plastic, the set screws will probably not dig into the surface which will be sufficient).
- Place the bath on the center screw and rotate the bath clockwise until tight.
- If your bath sits crooked, you may remove the bath by rotating counterclockwise. Then loosen the proper set screw and adjust the mount by moving the corresponding arm upward, re-tighten the set screw before placing your bath back on the mount.

MOUNTING TO A FEEDER POLE OR OTHER METAL POLE

Mounting to a metal pole

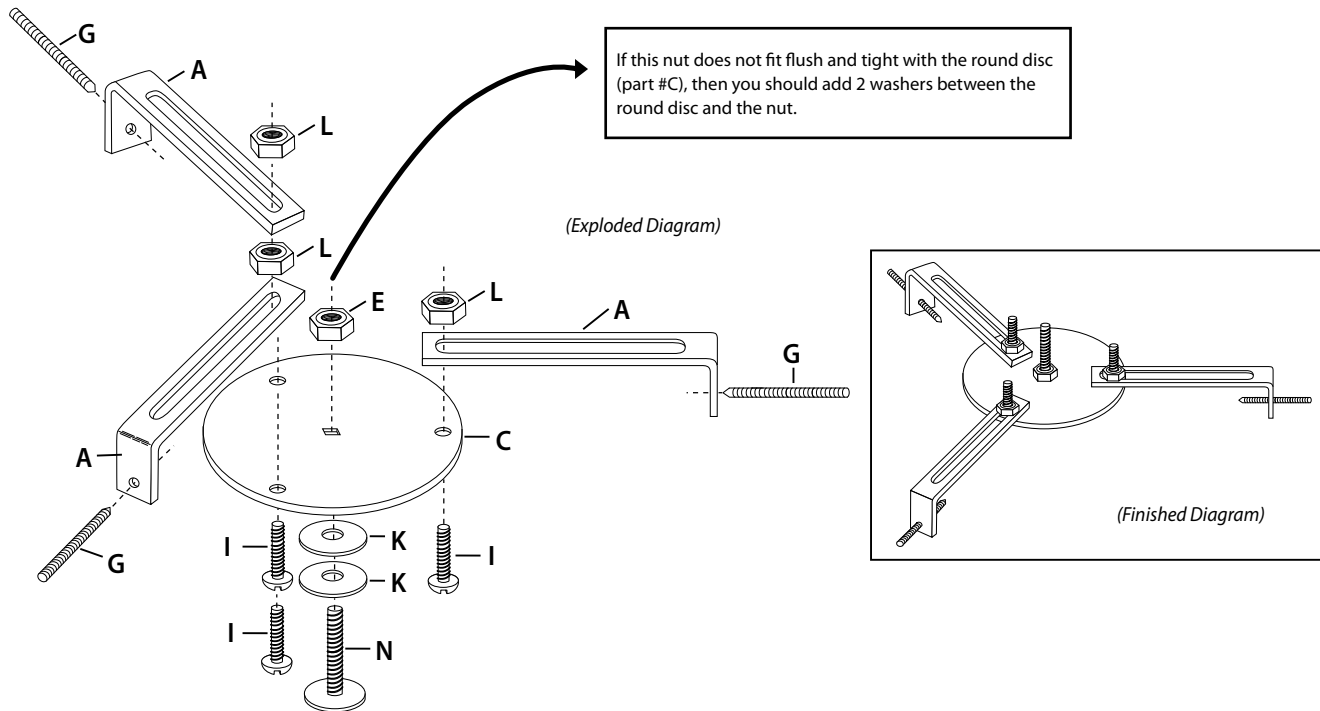
- Follow the exploded diagram for a pedestal 7.25" or less.** Substitute long set screws (part #G) for short set screws (part #F). Screw each long set screw (part #G) into each arm (part #A) approximately 1.25".
- Do not attach shims (part #B).
- Place the mount on the center of the pole and center the mount so the center bolt (part #D) is directly in the center of the pole.
- Each of the three arms (part #A) should be extended an equal distance from side of the pole (i.e. the 1.25" distance allowed for each set screw). If not, loosen the center nut (Note: you do not have to take the mount off your pole to loosen or tighten this nut (part #E), and open or close the arms so that the cone points of the long set screws (part #G) rest against the sides of the pole.

- Tighten the center nut. **You must use a wrench and fasten this nut as tight as possible.** (Note: you do not have to remove the mount from your pedestal to loosen or tighten this nut).
- Press on the top of your mount as you tighten the set screws (part #G). Do not let the mount rise off the pole as you tighten the set screws. **The lowest arm (part #A) should always remain level and flush against the top of the pole surface.** Do not over-tighten the set screws!
- Place the bath on the center screw and rotate the bath clockwise until tight.
- If your bath sits crooked, then you have probably over-tightened the three set screws. Remove the bath, loosen the three set screws (part #G) and repeat step 6.



HEATED 20" BIRD BATH

IF THE DIAMETER OF THE TOP OF YOUR BIRD BATH PEDESTAL IS BETWEEN 7.25" AND 8.25"



Mounting to your pedestal

1. Assemble bracket following exploded diagram.
2. Screw the set screws (part #G) at least 1" into the mount.
3. Place the mount on the center of the pedestal and center the mount so the center bolt (part #N) is directly in the center of the pedestal.
4. Loosen the three screws (part #I) holding the arms (part #A) in place. Then open or close the arms so that the mount conforms to the sides of your pedestal (i.e. so the points of the set screws (part #G) are against the sides of your pedestal).
5. Make sure the center bolt (part #N) is still positioned in the center of your pedestal. (If the center bolt is misaligned with the center of your pedestal – reposition the mount and repeat step #3 again).
6. Tighten the three arms as tight as possible. **You must use a wrench and screwdriver on the three screws (part #I) holding the arms in place.**
7. Check to be sure the arms (part #A) are all at the same level.
8. Use a screwdriver to tighten the three set screws (part #G). Do not over tighten these screws because this will bend the arms of the mount. Just tighten each one enough to dig **slightly** into the surface (if your pedestal is plastic, the set screws will probably not dig into the surface but will bend the surface which will be sufficient).
9. Place the bath on the center screw and rotate the bath clockwise until tight against the arms of the mount.
10. If your bath sits crooked, you may remove the bath by rotating counterclockwise. Then loosen the proper set screw (part #G) and adjust the mount by moving the corresponding arm upward. Re-tighten the set screw before placing your bath back on the mount.

IF THE DIAMETER OF THE TOP OF YOUR BIRD BATH PEDESTAL IS BETWEEN 8.25" AND 12"

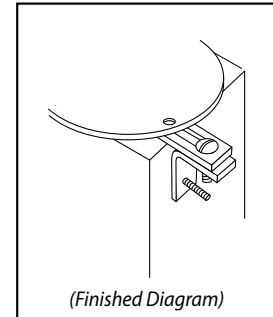
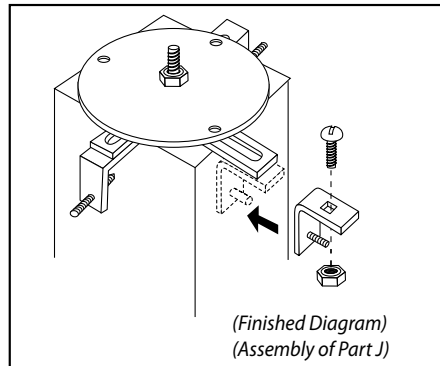
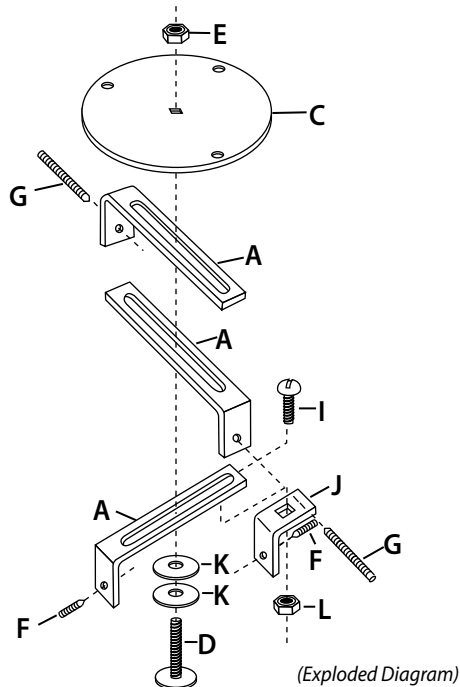
Mounting to your pedestal

1. Assemble bracket following exploded diagram found in section for bird bath pedestal between 7.25" and 8.25" except substitute small set screws (part #F) in place of large set screws (part #G).
2. Back the three set screws (part #F) out of arms (part #A) as far as possible.
3. Place the mount on the center of the pedestal and center the mount so the center bolt (part #N) is directly in the center of the pedestal.
4. Loosen the three screws (part #I) holding the arms (part #A) in place. Then open or close the arms so that the mount conforms to the sides of your pedestal (i.e. so the arms are "hugging" the sides of your pedestal and are as close as they can possibly go).
5. Make sure the center bolt (part #N) is still positioned in the center of your pedestal. If the center bolt is misaligned with the center of your pedestal – reposition the mount and repeat step #3 again.
6. Tighten the three arms as tight as possible. **You must use a wrench and screwdriver on the three screws (part #I) holding the arms in place.**
7. Check to be sure the arms (part #A) are all at the same level.
8. Use a screwdriver to tighten the three set screws (part #F). Do not over tighten these screws because this will bend the arms of the mount. Just tighten each one enough to dig **slightly** into the surface (if your pedestal is plastic, the set screws will probably not dig into the surface but will bend the surface which will be sufficient).
9. Place the bath on the center screw and rotate the bath clockwise until tight against the arms of the mount.
10. If your bath sits crooked, you may remove the bath by rotating counterclockwise. Then loosen the proper set screw (part #F) and adjust the mount by moving the corresponding arm upward. Re-tighten the set screw before placing your bath back on the mount.



HEATED 20" BIRD BATH

4" X 4" WOODEN POST OR "LOOKER" MFG. STAND

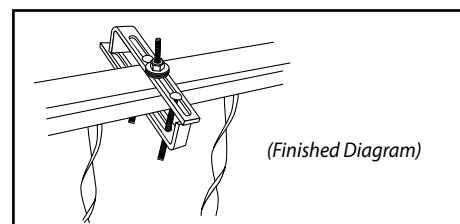
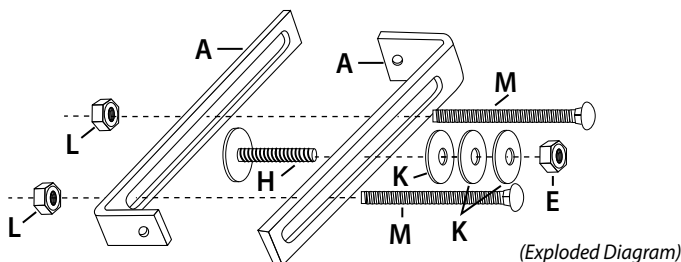


Mounting to wooden post

1. Assemble mount, with exception of part #J, and leave the center nut (part #E) loose enough so that you can move the 3 arms (part #A) to fit the post.
2. Place the mount on the center of the pedestal and center the mount so the center bolt (part #D) is directly in the center of the pedestal.
3. Make sure the arm (part #A) with the short set screw (part #F) is flush against the side of the post with the set screw (part #F) backed out as far as possible. The other two arms (part #A) with the longer set screws (part #G) should be pushed together as far as possible. There will be a gap between these two arms and the side of the post.

4. Make sure the center bolt is still positioned in the center of your pedestal. If the center bolt is misaligned with the center of your pedestal – reposition the mount and repeat step #3 again.
5. Using a wrench, tighten the center nut (part #E) as tight as possible.
6. Use a screwdriver to tighten the three set screws. While tightening these make sure that the mount remains level. Do not over-tighten the set screws because this will cause the mount to bend. Tighten the set screws only enough to slightly dig into the wood.
7. After your mount is fastened tightly, add angle bracket (part #J) to the end of the arm (part #A) containing the small set screw (part #F). Attach part #J so there is not an air gap between the wooden post and part #J (to eliminate an air gap you must back the small set screw out of part #J to the end of the arm (part #A).
8. Tighten the set screw (part #F) in the angle bracket (part #J).
9. Place the bath on the center screw and rotate the bath clockwise until tight against the round disc (part #C).
10. If your bath sits crooked, you may remove the bath by rotating counterclockwise. Then loosen the proper set screw (part #F or part #G) and adjust the mount by moving the corresponding arm upward. Re-tighten the set screw before placing your bath back on the mount.

MOUNTING TO A METAL DECK RAILING



1. Assemble mount to metal rail as shown in exploded diagram. Sandwich rail between arms (part #A).
2. When attaching mount make sure the carriage bolts (part #M) are "hugging" the sides of the metal rail. They must be as close against the rail as possible.
3. Use a wrench to tighten the nuts on the carriage bolts (part #M). Do not over-tighten because excessive tightening will cause the arms (part #A) to bend. A slight bend is okay.

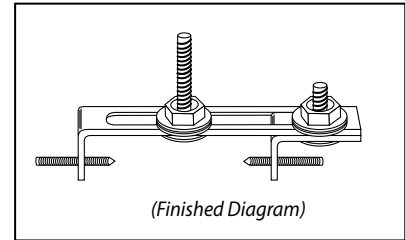
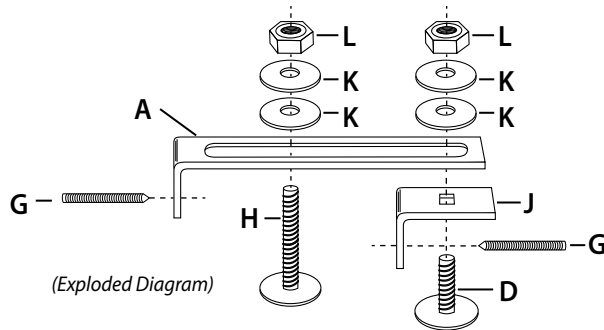
4. Do not be concerned if you can still "twist" the mount back and forth. This "twisting" will be eliminated once the bath is "spun" onto the mount.
5. Set the bath onto the center screw (part #H) and "spin" the bath into place. It should be spun until the bottom surface of the bath rests tight against the surface of the railing and there is no wobble.



HEATED 20" BIRD BATH

MOUNTING TO A WOODEN RAILING UP TO 3.5" WIDE

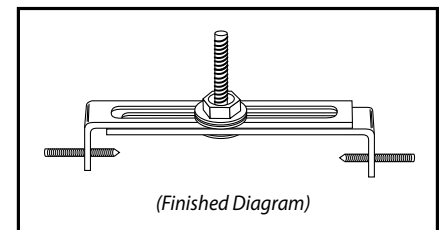
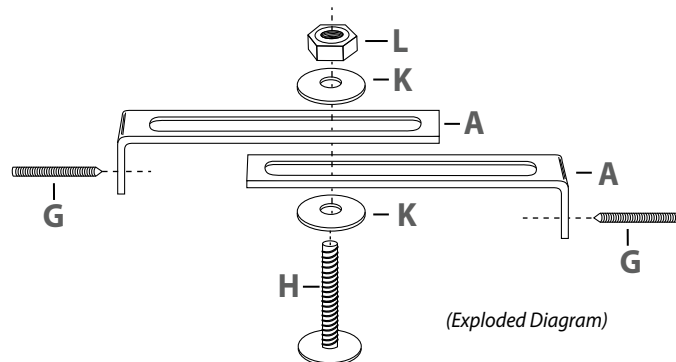
If this nut (part #L) does not fit tight against the washer (part #K), then you will have to add additional washers. Do this until the nut fits tight.



- Assemble mount as shown but leave the nuts (part #L) loose enough to allow adjustment of bracket.
- Back out the long set screw (part #G) as far as possible out of the arm (part #A) and out of the angle bracket (part #J).
- Position bracket so the elevator bolt (part #H) is in the center of rail.
- Open or close bracket by sliding angle bracket (part #J) along arm (part #A) so that the arm (part #A) and angle bracket (part #J) are hugging the sides of the railing.
 - If the bracket will not open large enough for the width of your railing try the next size bracket configuration.
 - If the bracket will not close small enough for your rail, screw the set screw (part #G) deeper into both the arm (part #A) and the angle bracket (part #J). This will act as a spacer.
- Make sure that the center bolt is in the center of the rail. Then tighten both nuts (part #L). You must use a wrench to insure that both nuts are tight.
- While applying pressure to the top of the mount (so the bottom surface of the elevator bolt (part #H) is flush against the wooden surface) use a screwdriver to tighten the two set screws (part #G). Do not over-tighten because this will cause the mount to bend. **As a rule, tighten the set screw just past the point of the mount bending.**
- Do not be concerned if the mount assembly wobbles back and forth. This wobble will correct itself once the bath is "spun" onto the mount and tightened against the wooden surface.
- Set the bath onto the center screw (part #H) and "spin" the bath into place. It should be spun until the bottom surface of the bath rests tight against the surface of the railing and there is no wobble.

MOUNTING TO A WOODEN RAILING FROM 3.5" TO 8.75" WIDE

If this nut (part #L) does not fit tight against the washer (part #K), then you will have to add additional washers. Do this until the nut fits tight.

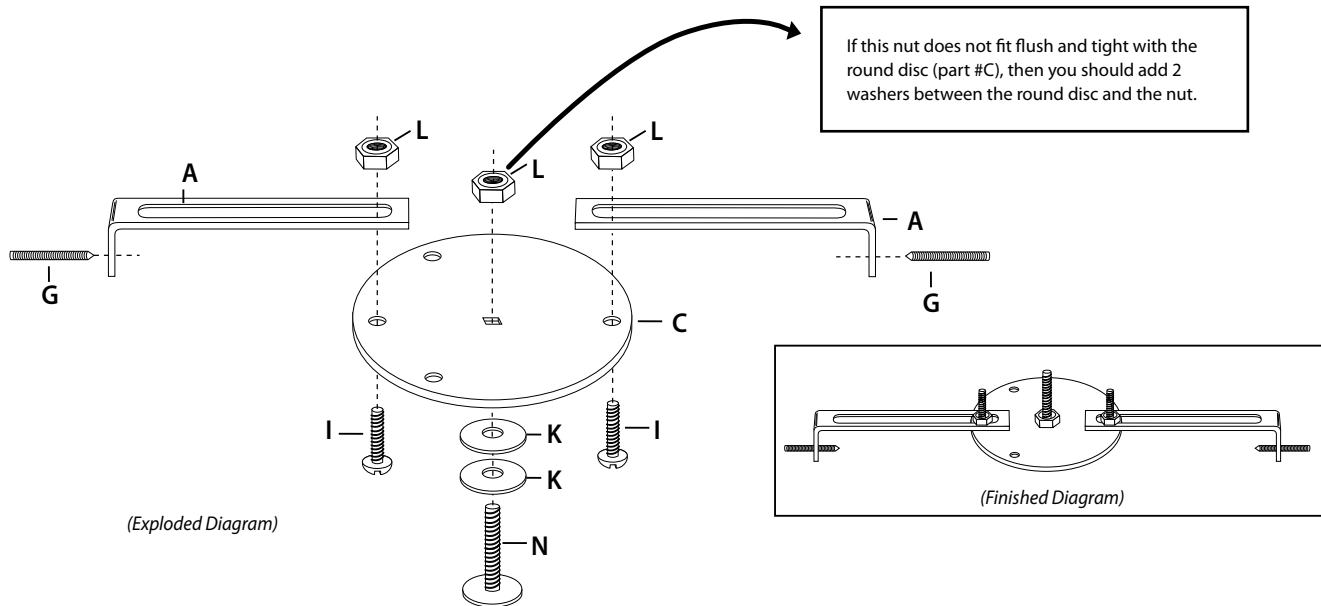


- Assemble mount as shown but leave the nuts (part #L) loose enough to allow adjustment of bracket.
- Back out the long set screw (part #G) as far as possible out of both arms (part #A).
- Position bracket so the elevator bolt (part #H) is in the center of rail.
- Open or close bracket by sliding angle bracket (part #A) towards each other. Ideally so that both arms (part #A) are hugging the sides of the railing.
 - If the bracket will not open large enough for the width of your railing try the next size bracket configuration.
 - If the bracket will not close small enough for your rail, push the arms together until they stop. Position the center elevator bolt (part #H) in the center of your wooden rail. Then screw the set screws (part #G) deeper into both the arms until the cone points on the set screws (part #G) hit the wooden surface. This will act as a spacer.
- Make sure that the center bolt (part #H) is in the center of the wooden rail. Then tighten the center nut (part #L). You must use a wrench to insure this nut is tight.
- While applying pressure to the top of the mount (so the bottom surface of the elevator bolt (part #H) is flush against the wooden surface) use a screwdriver to tighten the two set screws (part #G). The set screws should dig into the wood – but only slightly. Do not over-tighten because this will cause the mount to bend. **As a rule, tighten the set screws just past the point of the mount bending.**
- Do not be concerned if the mount assembly wobbles back and forth. This wobble will correct itself once the bath is "spun" onto the mount and tightened against the wooden surface.
- Set the bath onto the center screw (part #H) and "spin" the bath into place. It should be spun until the bottom surface of the bath rests tight against the surface of the railing and there is no wobble.



HEATED 20" BIRD BATH

MOUNTING TO A WOODEN RAILING 8.75" TO 12" WIDE



- Assemble mount as shown but leave the nuts (part #L) loose enough to allow adjustment of bracket.
- Back out the long set screws (part #G) as far as possible out of both arms (part #A).
- Position bracket so the elevator bolt (part #N) is in the center of your rail.
- Open or close bracket by sliding both arms (part #A) towards each other. Ideally so that both arms (part #A) are hugging the sides of the railing.
 - If the bracket will not close small enough for your rail, push the arms together until they stop. Position the center elevator bolt (part #N) in the center of your wooden rail. Then screw the set screws (part #G) deeper into both arms until the cone points on the set screws (part #G) hit the wooden surface. This will act as a spacer.
 - If the bracket is still too large then try the next smaller configuration for a wooden railing.
 - If the bracket is too small then try a **permanent mount**. See the section titled "permanent mount".
- Make sure that the center bolt (part #N) is in the center of your wooden rail. Then lift the mount off the surface and tighten the two screws (part #I). You must use a wrench and screwdriver to tighten these properly.
- While applying pressure to the top of the mount (so the bottom surface of the elevator bolt (part #N) is flush against the wooden surface) use a screwdriver to tighten the two set screws (part #G). The set screws should dig into the wood – but only slightly. Do not over tighten because this will cause the mount to bend. **As a rule, tighten the set screws just past the point of the mount bending.**
- Do not be concerned if the mount assembly wobbles back and forth. This wobble will correct itself once the bath is "spun" onto the mount and tightened against the bracket surface.
- Set the bath onto the center screw (part #N) and "spin" the bath into place. It should be spun until the bottom surface of the bath rests tight against the surface of the mount and there is no wobble. If the mount comes loose, tighten the set screws (part #G). Keep doing this until the bath rests tight against the mount and the mount is fastened tight against the wood surface.

PERMANENT MOUNT

- Take the elevator bolt (part #H) and insert this bolt through the center square hole in the round disc (part #C). Fasten this elevator bolt (part #H) with 3 washers (part #K) and 1 nut (part #L). **Make sure the washers are on the same side of the round disc (part #C) as the nut (part #L). Use a wrench to tighten this assembly.**
- You may fasten this assembly to any flat surface via any two of the holes provided along the diameter of the round disc.
- Set the bath onto the center screw (part #H) and "spin" the bath into place. It should be spun until the bottom surface of the bath rests tight against the mounting surface and there is no wobble.